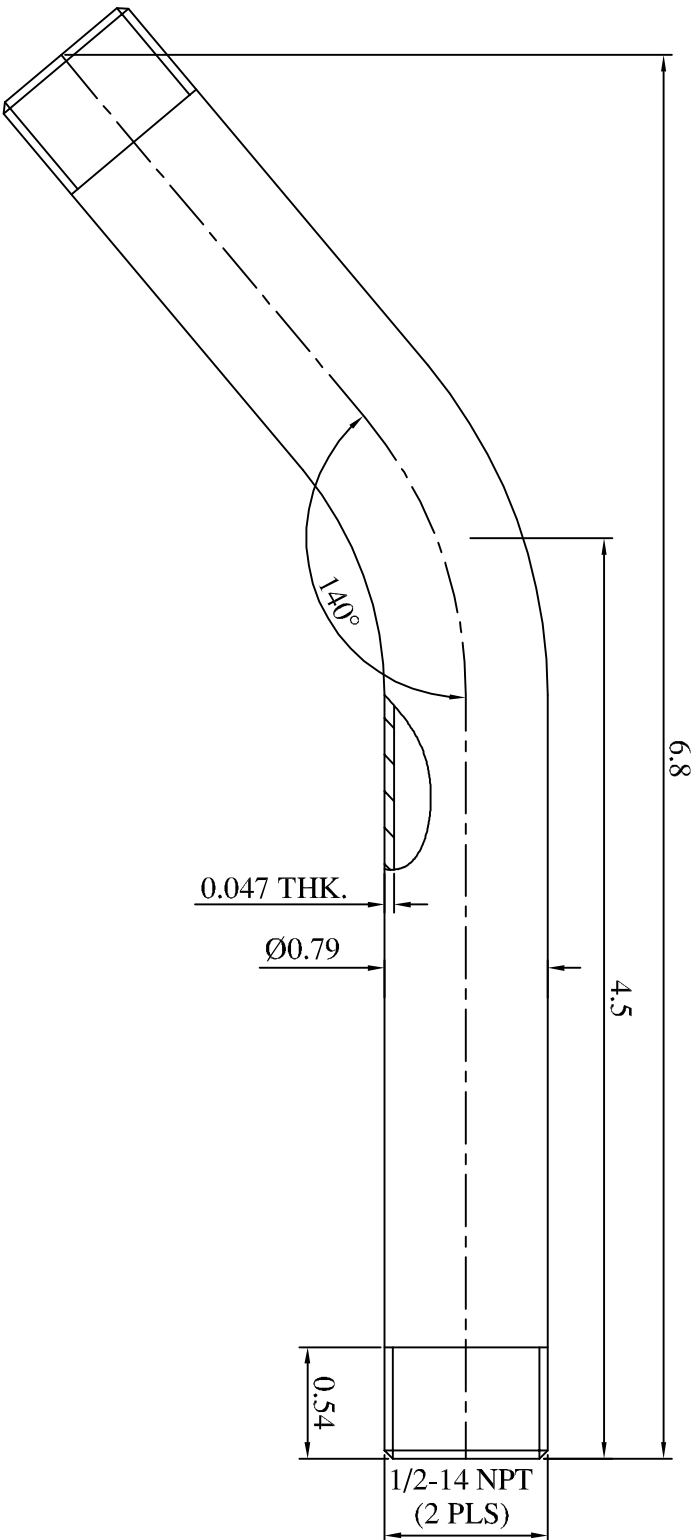


SIZE	UNIT	PER CTMR DWG	DATE	REV.
A4	INCH	XXX	XX-XX-XX	X



DO NOT SCALE DRAWING		TOLERANCES : UNLESS OTHERWISE SPECIFIED . XX ± 0.010 ANGLES ± 1/2° . XXX ± 0.005 FRACTION ± 1/64	
W.T.: 109 gms		C.S.B. INTERNATIONAL PRODUCTS INC.	
MATERIAL : BRASS		TITLE CP SHOWER ARM, 1/2 IPSX8, LESS FLANGE & BUFF	
FINISH : CP		ITEM NO. 627CHPL	
REV. A		DRAWN Makay 3/6/18	
SCALE 1 : 1		PROJECTION FIRST ANGLE	
SHEET : 1 / 1		FILE XXX	